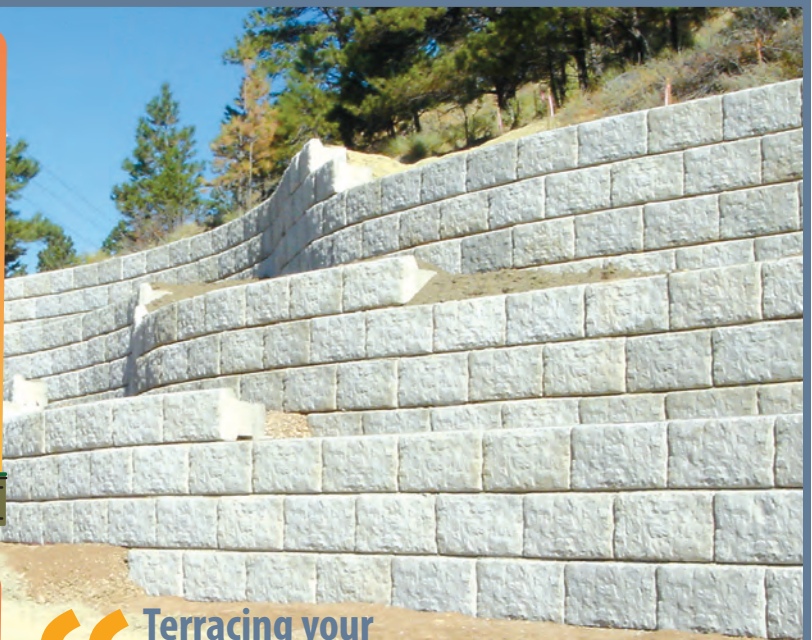
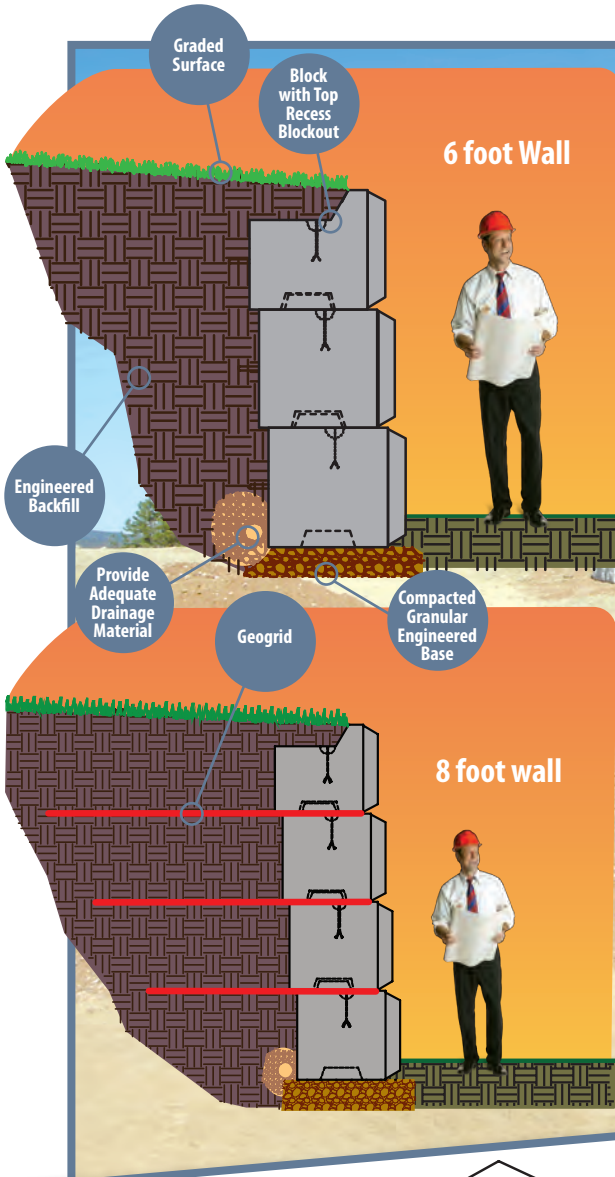


LANDSCAPE BLOCK FORMS



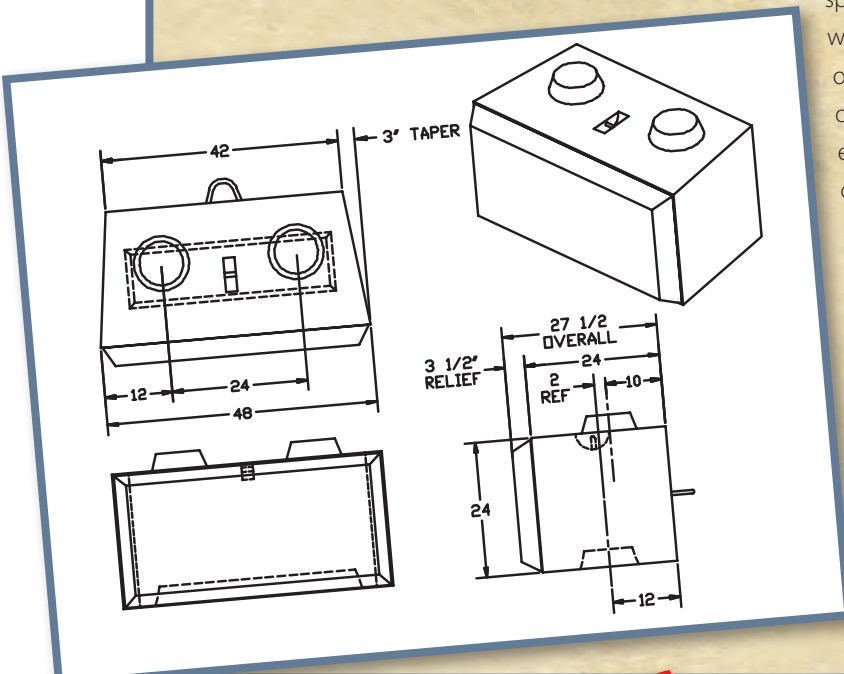
“Terracing your landscape wall can minimize the need for geogrid.”

How High Can I Go?

Your landscape blocks can easily make a wall up to 6 feet high (3 courses). Once you get past that height you will want to use site specific engineering that will specify the geogrid layout and installation. We offer general landscape engineering and specifications on our website at www.worldblock.com.

While geogrid is typically

used in walls that go roughly straight up, if you have the space, terracing your walls is a dramatic way to reach desired heights with little or no need for soil reinforcement. Terracing is accomplished by creating a wall, backfilling, measuring back a certain distance and then building another wall. You will still want to talk to an engineer for local specifications and proper permitting.



Install-Info

Our complete installation and engineering manual includes construction details, installation guides and product

specifications. It is available for free and immediate download on our website:

www.worldblock.com

