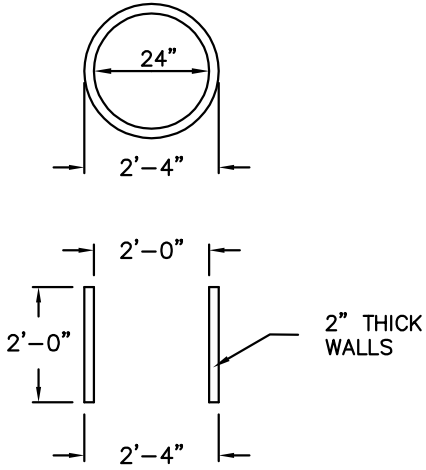
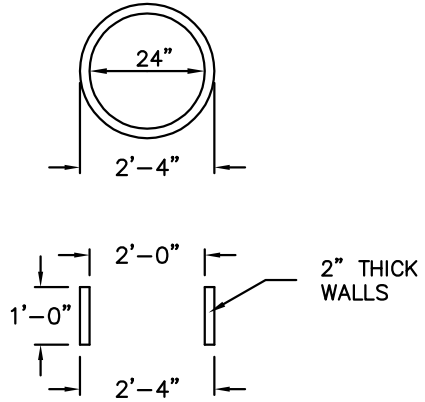


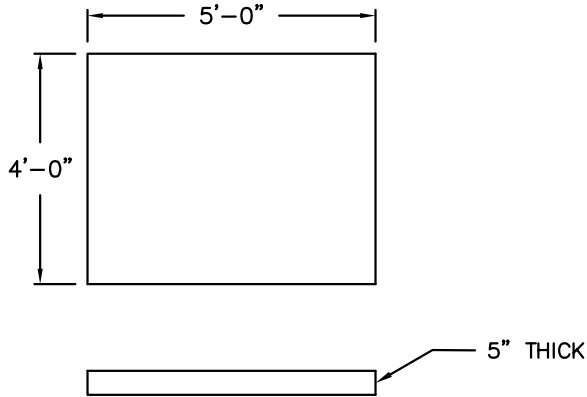
TANK EXTENSIONS  
2'X2'



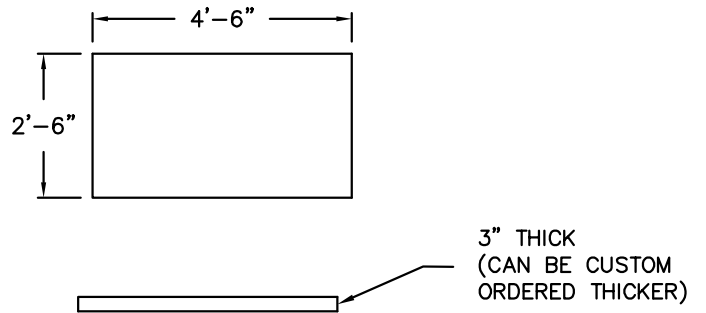
TANK EXTENSIONS  
2'X1'



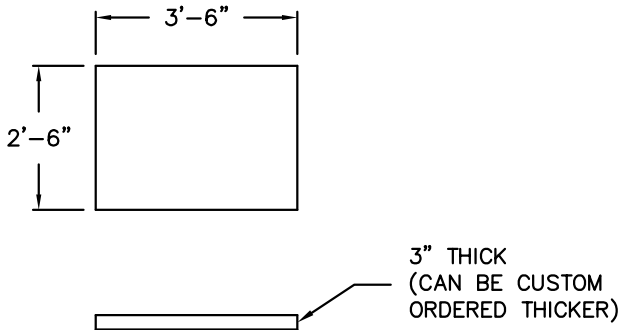
OIL TANK SLAB  
(FOR OIL TANKS LOCATED OUTSIDE)



GENERATOR PAD  
4.5'X2.5'  
(FOR GENERATORS TO SIT ON)



SMALL GENERATOR PAD  
3.5'X2.5'



**NOTES:**  
1. CONCRETE: 5,000 PSI MIN. AFTER 28 DAYS



100 COCHECO RD.  
FARMINGTON, NH 03835  
OFFICE: (603) 755-2515  
FAX: (603) 278-7878

TANK RISER, OIL PADS AND GENERATOR PAD	
FOR: AJ FOSS 100 COCHECO ROAD FARMINGTON, NH 03835 PHONE(603)755-2515 FAX(603)278-7878	DATE: APRIL 1, 2015 FILE NAME: TANK-OIL & GEN DRAWN BY: SO