

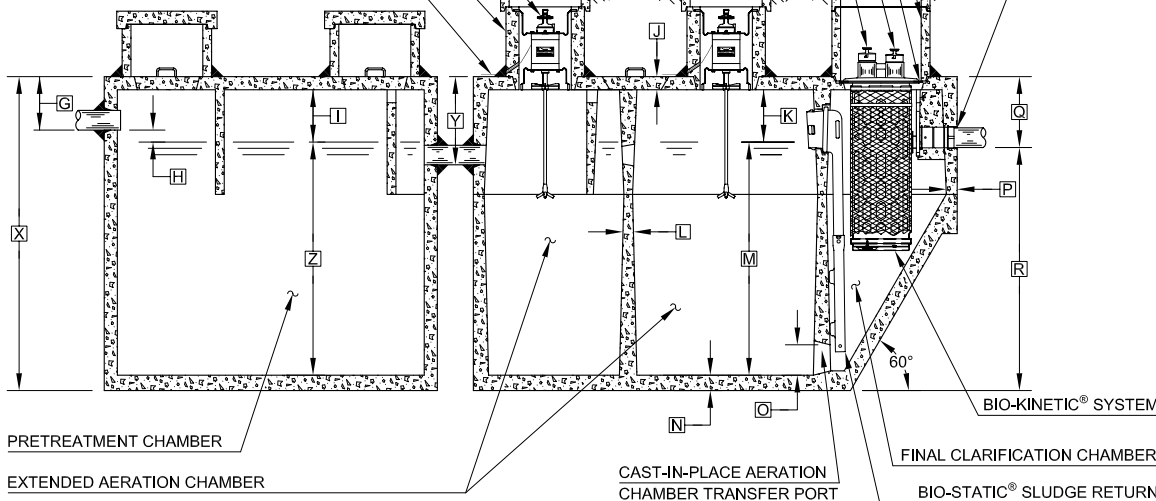
PLAN VIEW

EXTENDED AERATION CHAMBER

SINGULAIR® AERATOR
(SEE NOTE 1)

AERATOR MOUNTING CASTING

UNDERGROUND POWER SUPPLY ENTRANCE
(SEE AERATOR MOUNTING AND INSTALLATION
DETAIL DRAWING)



SECTION A-A

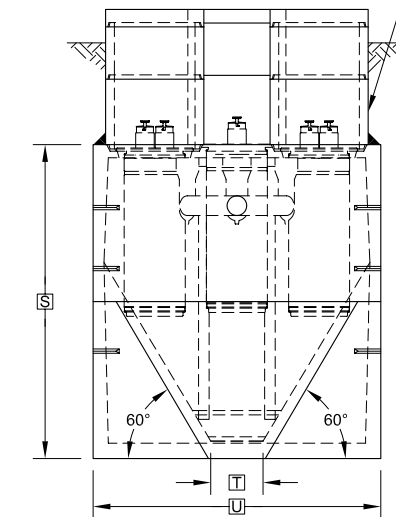
NOTE: PRETREATMENT CHAMBER MINIMUM REQUIREMENTS SHALL BE: 1,500 GALLONS CAPACITY, 22 GALLONS PER INCH OF LIQUID LEVEL AND 12 INCHES OF FREEBOARD.

NOTE: SOME CRITICAL DIMENSIONS ARE INTENTIONALLY LEFT BLANK TO BE FILLED IN PER INDIVIDUAL JOB SITE SPECIFICATIONS.

NOTE: TOTAL SYSTEM CAPACITY: 3,400 GALLONS
RATED CAPACITY: 1,500 GALLONS PER DAY

BIO-KINETIC® SYSTEM DISCHARGE DETAIL

BIO-KINETIC® SYSTEM MOUNTING CASTING AND COVER



OUTLET END VIEW

GENERAL NOTES:

- ① SINGULAIR® AERATOR, AS TESTED AND ACCEPTED BY NSF.
- ② FALL THROUGH SINGULAIR® PLANT FROM INLET INVERT TO OUTLET INVERT IS FOUR INCHES. INLET INVERT IS TWELVE INCHES BELOW TANK TOP.
- ③ ON DEEPER INSTALLATIONS, PRECAST RISERS MUST BE USED TO EXTEND AERATOR MOUNTING CASTING AND BIO-KINETIC® SYSTEM MOUNTING CASTING TO GRADE. INSPECTION COVER ON PRETREATMENT CHAMBER MUST BE DEVELOPED TO WITHIN TWELVE INCHES OF GRADE.
- ④ TANK REINFORCED PER ACI STD. 318-05.
- ⑤ REMOVABLE COVERS ON RISERS WEIGH IN EXCESS OF SEVENTY-FIVE POUNDS EACH TO PREVENT UNAUTHORIZED ACCESS.
- ⑥ CONTACT THE LOCAL, LICENSED SINGULAIR® DISTRIBUTOR FOR ELECTRICAL REQUIREMENTS.

PROJECT ENGINEER'S APPROVAL:
I (WE) HEREBY CERTIFY THAT THIS DRAWING HAS BEEN CHECKED AND IS APPROVED FOR USE IN CONFORMITY WITH THE CONTRACT DOCUMENTS.

DATE: _____

NAME: _____

CONTRACTOR'S CERTIFICATION:
I (WE) HEREBY CERTIFY THAT THIS DRAWING HAS BEEN CHECKED AND IS APPROVED FOR USE IN CONFORMITY WITH THE CONTRACT DOCUMENTS.

DATE: _____

NAME: _____

CRITICAL DIMENSIONS

A	1'-0"	N	0'-3"
B	2'-9"	O	0'-6"
C	2'-8"	P	0'-2 1/2"
D	3'-7"	Q	1'-4"
E	2'-3"	R	6'-8"
F	9'-3"	S	8'-0"
G	1'-0"	T	1'-0"
H	0'-3"	U	5'-6"
I	1'-0"	V	
J	0'-3"	W	
K	1'-0"	X	
L	0'-2"	Y	1'-8"
M	6'-6"	Z	

U.S. AND FOREIGN PATENTS PENDING		DATE: 1-29-07	ISSUE: I
		APPROVED BY: GLS	DATE: 3-6-96
© MMVII	SINGULAIR® BIO-KINETIC® WASTEWATER TREATMENT SYSTEM MODEL 960 - 1500 GPD	SCALE: NTS	DRAWING NO. PC-5-7010