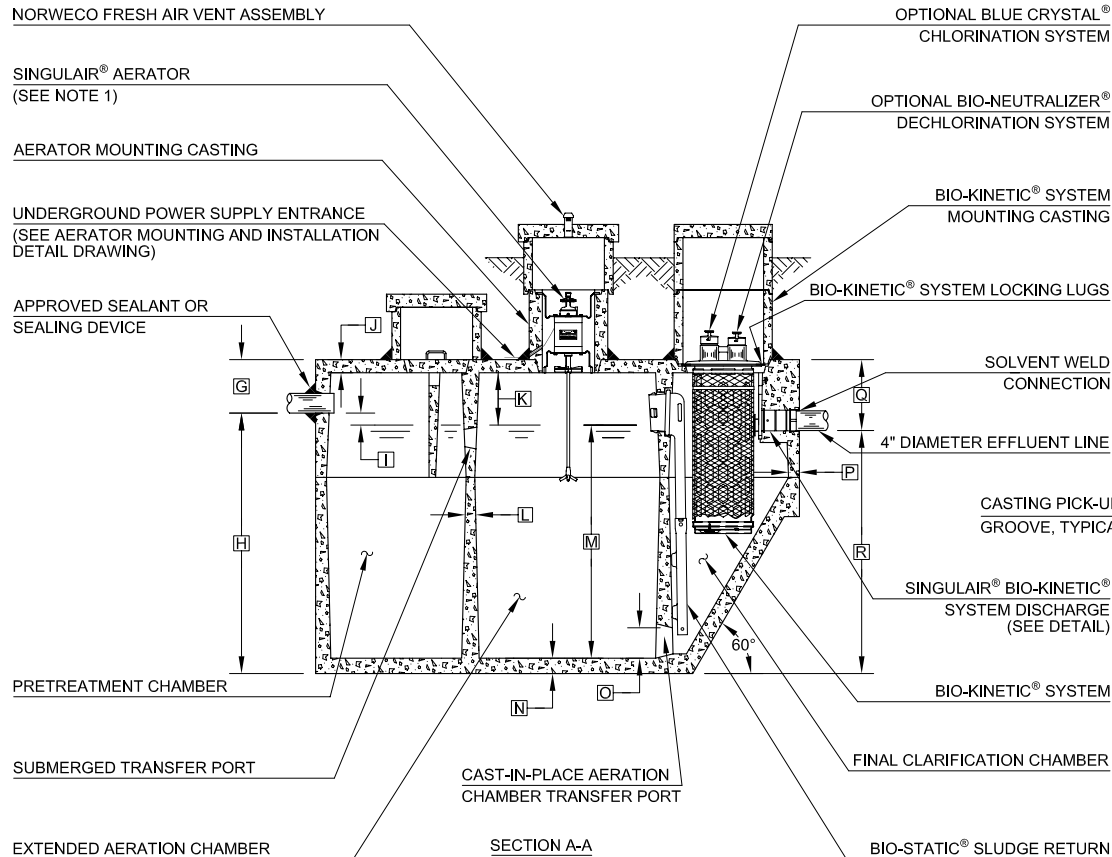
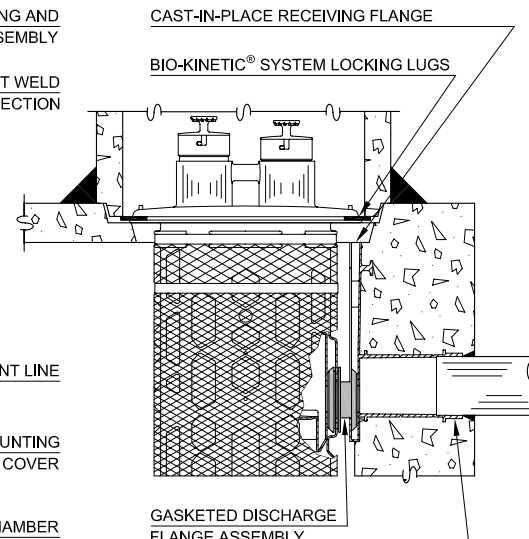


PLAN VIEW



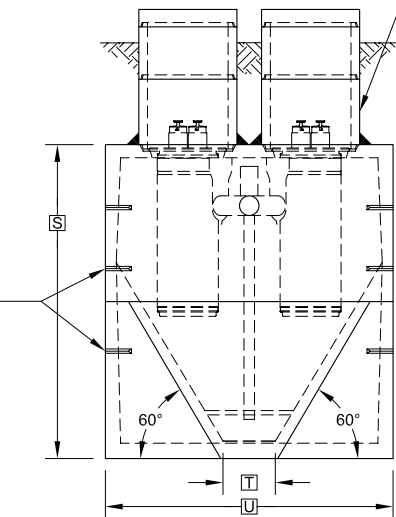
SECTION A-A



SINGULAIR® TANK OUTLET COUPLING TO 4" DIAMETER EFFLUENT LINE

BIO-KINETIC® SYSTEM DISCHARGE DETAIL

BIO-KINETIC® SYSTEM MOUNTING CASTING AND COVER



OUTLET END VIEW

NOTE: TOTAL SYSTEM CAPACITY: 1,600 GALLONS
RATED CAPACITY: 750 GALLONS PER DAY

GENERAL NOTES:

- 1 SINGULAIR® AERATOR, AS TESTED AND ACCEPTED BY NSF.
- 2 FALL THROUGH SINGULAIR® PLANT FROM INLET INVERT TO OUTLET INVERT IS FOUR INCHES. INLET INVERT IS TWELVE INCHES BELOW TANK TOP.
- 3 ON DEEPER INSTALLATIONS, PRECAST RISERS MUST BE USED TO EXTEND AERATOR MOUNTING CASTING AND BIO-KINETIC® SYSTEM MOUNTING CASTING TO GRADE. INSPECTION COVER ON PRETREATMENT CHAMBER MUST BE DEVELOPED TO WITHIN TWELVE INCHES OF GRADE.
- 4 TANK REINFORCED PER ACI STD. 318-05.
- 5 REMOVABLE COVERS ON RISERS WEIGH IN EXCESS OF SEVENTY-FIVE POUNDS EACH TO PREVENT UNAUTHORIZED ACCESS.
- 6 CONTACT THE LOCAL, LICENSED SINGULAIR® DISTRIBUTOR FOR ELECTRICAL REQUIREMENTS.

PROJECT ENGINEER'S APPROVAL:
I (WE) HEREBY CERTIFY THAT THIS DRAWING HAS BEEN CHECKED AND IS APPROVED FOR USE IN CONFORMITY WITH THE CONTRACT DOCUMENTS.

DATE: _____

NAME: _____

CONTRACTOR'S CERTIFICATION:
I (WE) HEREBY CERTIFY THAT THIS DRAWING HAS BEEN CHECKED AND IS APPROVED FOR USE IN CONFORMITY WITH THE CONTRACT DOCUMENTS.

DATE: _____

NAME: _____

CRITICAL DIMENSIONS

A	1'-0"	N	0'-3"
B	2'-9"	O	0'-6"
C	2'-8"	P	0'-2 1/2"
D	3'-7"	Q	1'-4"
E	2'-3"	R	5'-8"
F	9'-3"	S	7'-0"
G	1'-0"	T	1'-0"
H	6'-0"	U	5'-6"
I	0'-3"	V	
J	0'-3"	W	
K	1'-0"	X	
L	0'-2"	Y	
M	5'-6"	Z	

U.S. AND FOREIGN PATENTS PENDING		DATE: 1-29-07	ISSUE: I
		APPROVED BY: JMM	DATE: 3-6-96
© MMVII	SINGULAIR® BIO-KINETIC® WASTEWATER TREATMENT SYSTEM MODEL 960 - 750 GPD	SCALE: NTS	DRAWING NO.: PC-5-7007