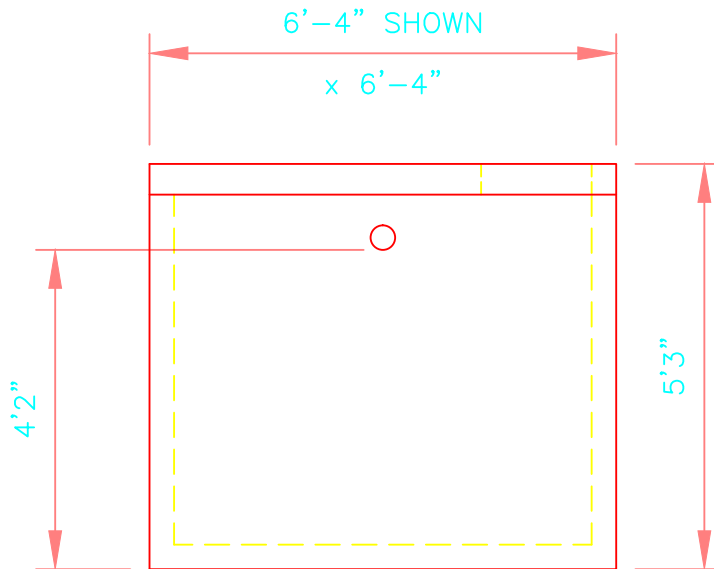



PLAN VIEW



ELEVATION VIEW

NOTES:

1. CONCRETE: 5,000 PSI MIN AFTER 28 DAYS.
2. TYPE III CEMENT.
3. TEST BAFFLES SOLD SEPARATELY.
4. 4" POLYLOK IV CLOSED END BOOTS USED FOR CONNECTIONS.
5. JOINT SEALED WITH BUTYLE RESIN.
6. PUMPS & ACCESSORIES OPTIONAL
7. PLASTIC RISER CAN BE POURED INTO COVER.

			PREPARED FOR: <b>ANDREW J. FOSS CO. INC.</b> 100 COCHECO ROAD FARMINGTON, NH 03835 PHONE(603)755-2515 FAX(603)278-7878																																
<table border="1"> <thead> <tr> <th>REV.NO.</th> <th>DATE</th> <th>REVISION</th> </tr> </thead> <tbody> <tr><td> </td><td> </td><td> </td></tr> <tr><td> </td><td> </td><td> </td></tr> <tr><td> </td><td> </td><td> </td></tr> <tr><td> </td><td> </td><td> </td></tr> </tbody> </table>			REV.NO.	DATE	REVISION													<table border="1"> <tr> <td>DATE: 9/18/09</td> <td>SHEET TITLE: <b>SKETCH</b></td> <td>DRAWN BY: GJP</td> </tr> <tr> <td>SCALE: N.T.S.</td> <td></td> <td>CHK BY: KMK</td> </tr> <tr> <td colspan="3">PROJECT: 800 GALLON PUMP BOX 6'-4"x6'-4"x5'-6" H-20</td> </tr> <tr> <td colspan="2">CONTRACTOR:</td> <td>DWG. I.D. SK-01</td> </tr> <tr> <td colspan="2">DELTA PROJ. NO.: 2009.367.001</td> <td>SHT. NO. 1 OF 1</td> </tr> </table>			DATE: 9/18/09	SHEET TITLE: <b>SKETCH</b>	DRAWN BY: GJP	SCALE: N.T.S.		CHK BY: KMK	PROJECT: 800 GALLON PUMP BOX 6'-4"x6'-4"x5'-6" H-20			CONTRACTOR:		DWG. I.D. SK-01	DELTA PROJ. NO.: 2009.367.001		SHT. NO. 1 OF 1
REV.NO.	DATE	REVISION																																	
DATE: 9/18/09	SHEET TITLE: <b>SKETCH</b>	DRAWN BY: GJP																																	
SCALE: N.T.S.		CHK BY: KMK																																	
PROJECT: 800 GALLON PUMP BOX 6'-4"x6'-4"x5'-6" H-20																																			
CONTRACTOR:		DWG. I.D. SK-01																																	
DELTA PROJ. NO.: 2009.367.001		SHT. NO. 1 OF 1																																	
PREPARED BY:  <b>DELTA</b> ENGINEERS, ARCHITECTS, & LAND SURVEYORS 184 COURT STREET, BINGHAMTON, NY 13901 TEL: (607) 231-6600 FAX: (607) 231-6650																																			