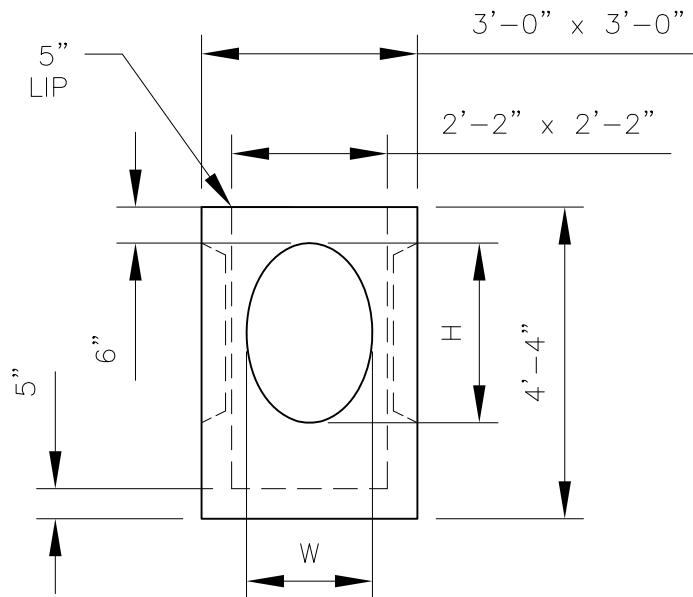


PLAN VIEW




ELEVATION VIEW

OPENING	W	H
A	24"	36"
B	21"	30"

NOTE:

1. $f'_c = 5,000$ PSI @ 28 DAYS
2. PORTLAND TYPE III CEMENT

<table border="1"> <tr><td> </td><td> </td><td> </td></tr> <tr><td> </td><td> </td><td> </td></tr> <tr><td> </td><td> </td><td> </td></tr> <tr><td> </td><td> </td><td> </td></tr> <tr> <th>REV. NO.</th> <th>DATE</th> <th>REVISION</th> </tr> </table>															REV. NO.	DATE	REVISION	PREPARED FOR: ANDREW J. FOSS CO. INC. 100 CONCHECO ROAD FARMINGTON, NH 03835 PHONE(603)755-2515 FAX(603)755-9249		
REV. NO.	DATE	REVISION																		
PREPARED BY:  DELTA ENGINEERS, ARCHITECTS, & LAND SURVEYORS 184 COURT STREET, BINGHAMTON, NY 13901 TEL: (607) 231-6600 FAX: (607) 231-6650			DATE: 9/18/09 SCALE: N.T.S.	SHEET TITLE: SKETCH	DRWN BY: GJP CKD BY: KMK															
PROJECT: DROP INLET DRAINAGE STRUCTURE																				
CONTRACTOR: DELTA PROJ. NO.: 2009.367.001				DWG. I.D. SK-01 SHT. NO. 1 OF 1																