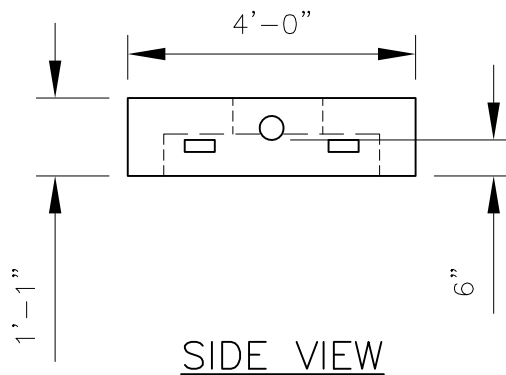
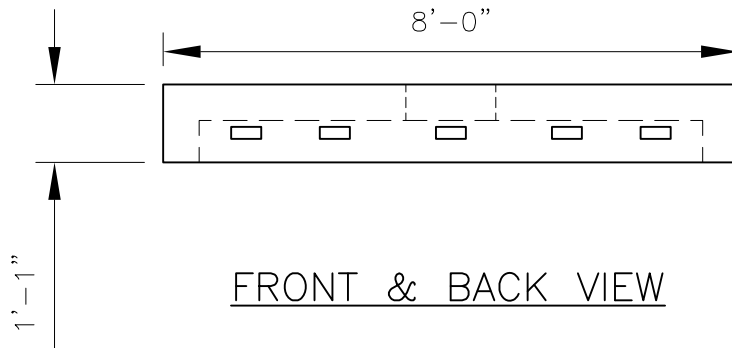


PLAN VIEW



NOTE:

1. $f'_c = 5,000$ PSI @ 28 DAYS
2. PORTLAND TYPE III CEMENT

REV. NO.	DATE	REVISION

PREPARED BY:



DELTA
ENGINEERS, ARCHITECTS, & LAND SURVEYORS
184 COURT STREET, BINGHAMTON, NY 13901
TEL: (607) 231-6600 FAX: (607) 231-6650

PREPARED FOR:
ANDREW J. FOSS CO. INC.
100 CONCHECO ROAD
FARMINGTON, NH 03835
PHONE (603) 755-2515 FAX (603) 755-9249

DATE: 9/18/09	SHEET TITLE: SKETCH	DRWN BY: GJP
SCALE: N.T.S.		CKD BY: KMK
PROJECT: 4' x 8' x 13" CONCRETE CHAMBER END		
CONTRACTOR:	DWG. I.D. SK-01	
DELTA PROJ. NO.: 2009.367.001	SHT. NO. 1 OF 1	